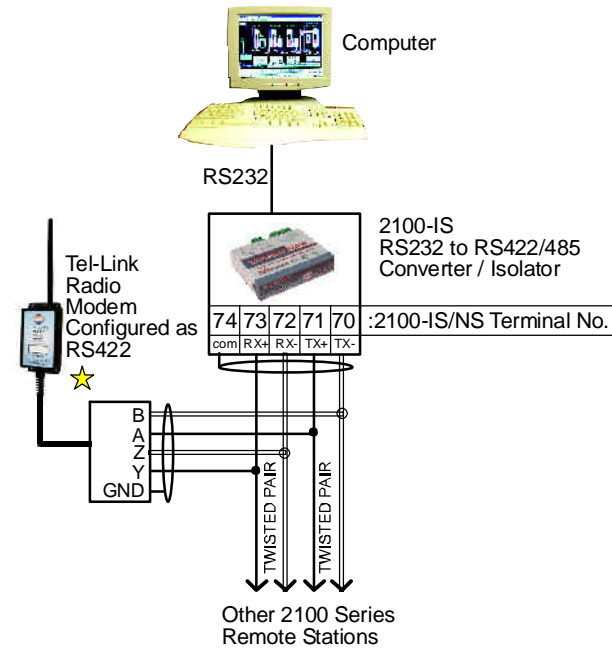
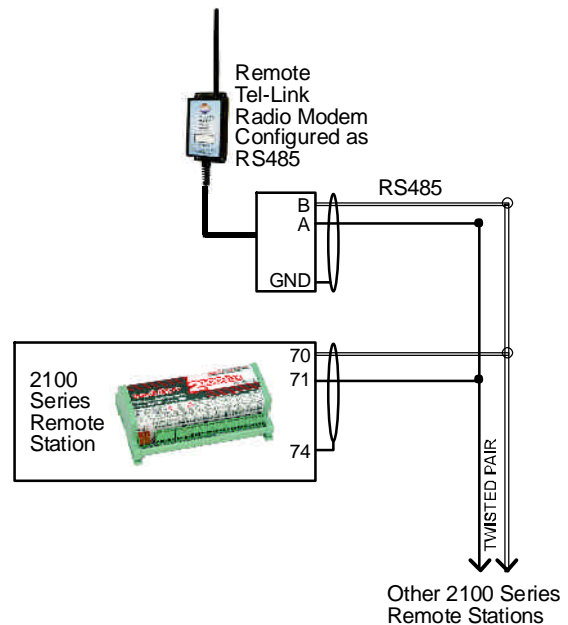
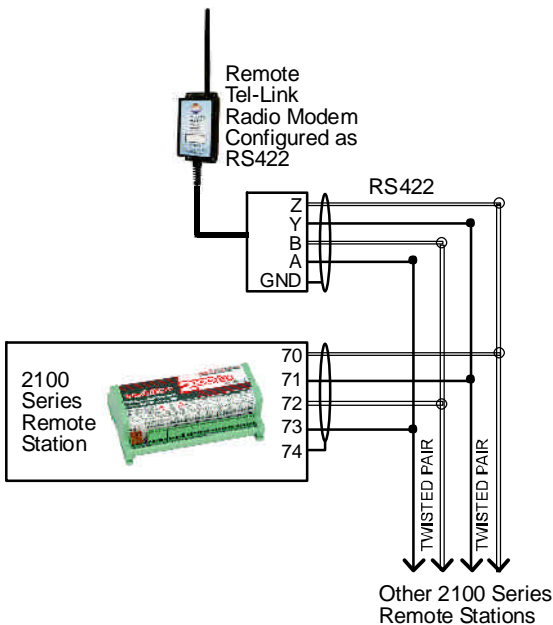
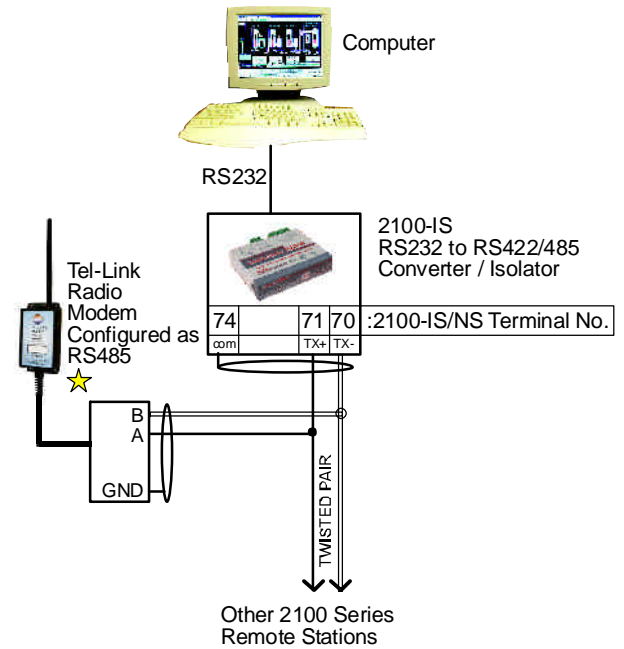


Tel-Link Radio Modems RS422 & RS485 Serial Connections

4-Wire RS422 Serial Connections



2-Wire RS485 Serial Connections

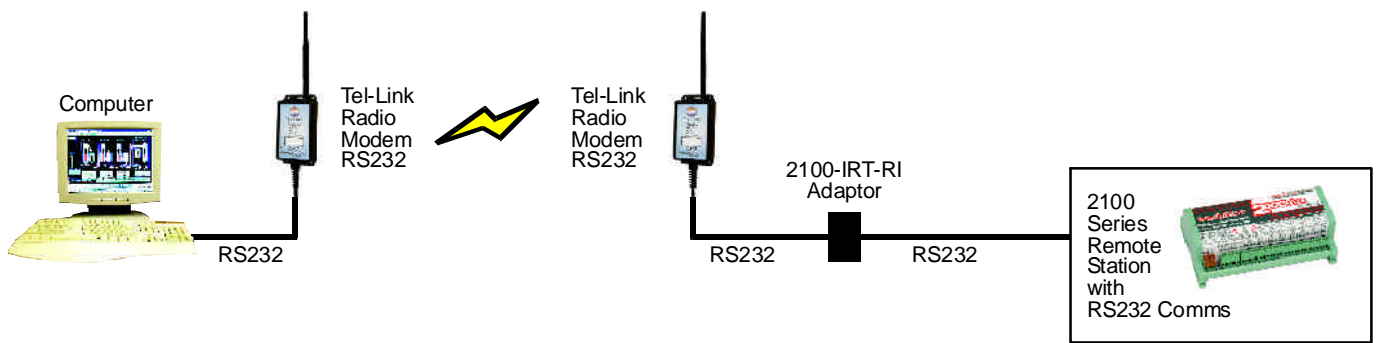


Refer to the Intech comms hook-up guide for all other comms connections.

★ These Radios are able to communicate with remote radios configured in either RS422 or RS485.

Tel Link RS232 to 2100 Series Stations

RS232 Requires an Adapter



USB to RS485 Converter Connections

USB - 485 Connections

